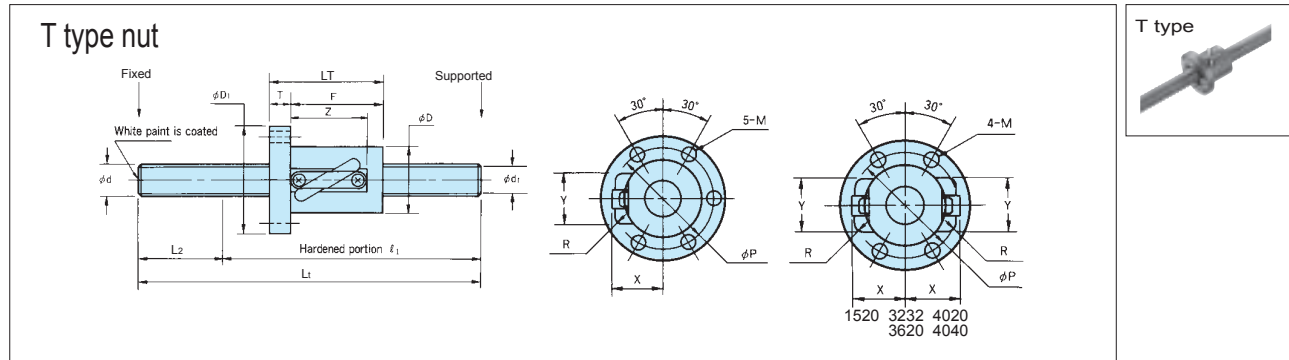
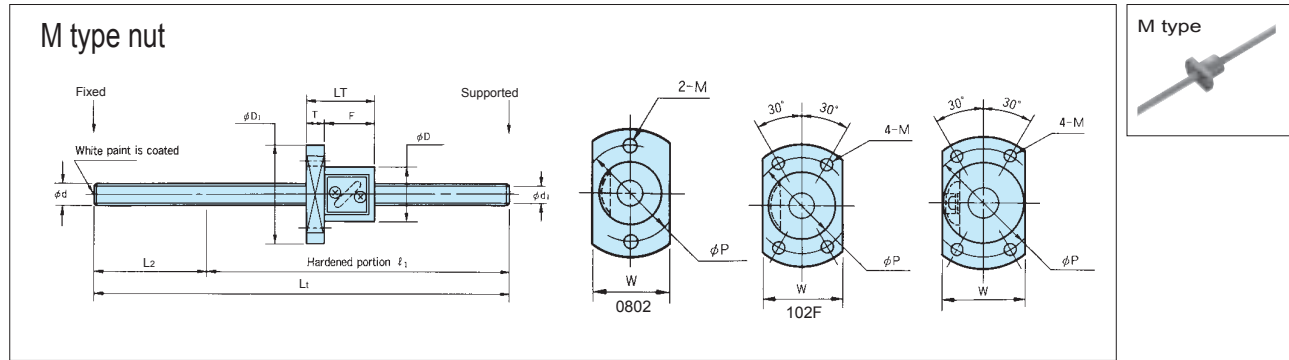


G Series - Rolled Ball Screw GW(C7 Accuracy)/GY(C10 Accuracy)

Contact KURODA for No-backlash rolled ball screw.

For more detailed dimensions of shaft and nut, please refer to our Ball Screw Catalogue or visit our web site at «www.kuroda-precision.com».



M NUT

(Unit:mm)

Model No.	Shaft dia. d	Lead	Root dia. d1	Circuits & Turns	Basic Dynamic Load Rating (N) C	Basic Static Load Rating (N) C0	Shaft Dimensions	
							Overall Length Lt	L2
GW/ GY 0802GS - HGNR - □□□□ A	8	2	6.6	3.5×1	1800	3200	200,400	55
GY 0804DS - HANR - □□□□ A		4	6.3	2.5×1	1900	3100		
GY 0808DS - HANR - □□□□ A		8			1200	1800		
GY 1002DS - HANR - □□□□ A	10	2	8.4	2.5×1	1700	3000	400,600	60
GW/ GY 102FGS - HGNR - □□□□ A		2.5	8.2	3.5×1	2600	5200		
GW/ GY 1004DS - HANR - □□□□ A		4	7.8	2.5×1	2300	4800		
GW/ GY 1010AS - HANR - □□□□ A		10		1.5×1	1850	3200		
GY 1010BS - HANR - □□□□ A		1.5×2		3360	6400			
GW/ GY 1204DS - HANR - □□□□ A	12	4	10	2.5×1	2600	5800	400,800	
GY 1208DS - HANR - □□□□ A		8			3800	6700		

Model No. □□□□ : Overall length Wiper material N: No wiper

T NUT

(Unit:mm)

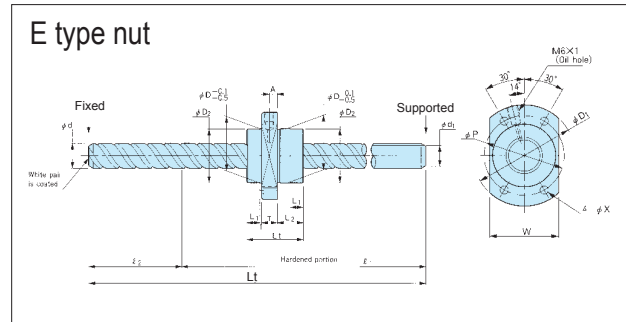
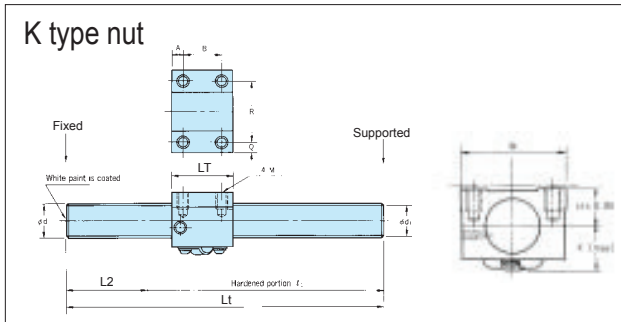
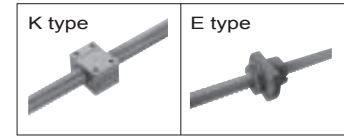
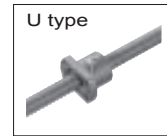
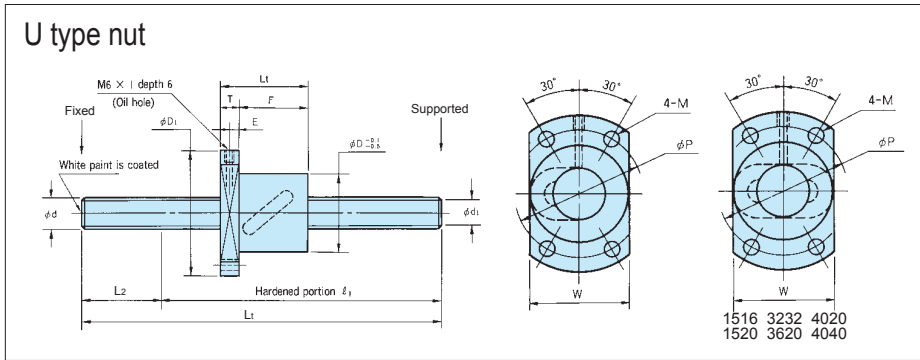
Model No.	Shaft dia. d	Lead	Root dia. d1	Circuits & Turns	Basic Dynamic Load Rating (N) C	Basic Static Load Rating (N) C0	Shaft Dimensions		
							Overall Length Lt	L2	
GY 1505DS - CT*R - □□□□ A	15	5	12.5	2.5×1	5100	10500	600,1200	60	
GY 1510DS - CT*R - □□□□ A		10			5100	10500			
GY 1520BS - CT*R - □□□□ A		20		1.5×2	5800	13300			
GY 2005DS - CT*R - □□□□ A	20	5	17.5	2.5×1	6200	14700	600,1200,2000	80	
GY 2010DS - CT*R - □□□□ A		10			16.3	10600			22700
GY 2020DS - CT*R - □□□□ A		20			17.5	6200			14700
GY 2505DS - CT*R - □□□□ A	25	5	21.8	2.5×1	11900	37300	1000,2000,2500	110	
GY 2510ES - CT*R - □□□□ A		10	20.3	2.5×2	27500	76300			
GY 2525DS - CT*R - □□□□ A		25	21.5	2.5×1	9300	22700			
GY 2806ES - CTBR - □□□□ A	28	6	25.6	2.5×2	12100	42300	1000,2000,3000	150	
GY 3210ES - CTBR - □□□□ A		10	27.2	2.5×1	32800	86700			
GY 3232BS - CTBR - □□□□ A		32	27.8	1.5×2	14600	38900			
GY 3610ES - CTBR - □□□□ A	36	10	31.1	2.5×2	35100	98200	1000,2000,3000	200	
GY 3620ES - CTBR - □□□□ A		20			35100	98200			
GY 4010RS - CTBR - □□□□ A		10			3.5×2	49600			153700
GY 4020ES - CTBR - □□□□ A	40	20	35.1	2.5×2	37100	105600	2000,3000,4000		
GY 4040BS - CTBR - □□□□ A		40			1.5×2	23900			66900

Model No. □□□□ : Overall length Wiper material N: No wiper L: Lip seal B: Brush S: LUBSEAL *: Please select L or S when your order.

G Series - Rolled Ball Screw GW(C7 Accuracy)/GY(C10 Accuracy)

Contact KURODA for Preloaded rolled ball screw.

For more detailed dimensions of shaft and nut, please refer to our Ball Screw Catalogue or visit our web site at «www.kuroda-precision.com».



U NUT

(Unit:mm)

Model No.	Shaft dia. d	Lead	Root dia. d1	Circuits & Turns	Basic Dynamic Load Rating (N) C	Basic Static Load Rating (N) C0	Shaft Dimensions	
							Overall Length Lt	L2
NEW GY 0805DS - HUNR - □□□□ A	8	5	6.4	2.5×1	1900	3100	200,400	55
GW/ GY 1004DS - HUNR - □□□□ A	10	4	7.7	2.5×1	2300	4800	400,600	60
NEW GY 1005DS - HUNR - □□□□ A		5			2300	4800		
NEW GY 1208DS - HULR - □□□□ A	12	8	10	2.5×1	3800	6700	400,800	60
NEW GW/ GY 1210AS - HULR - □□□□ A		10	9.6	1.5×1	2850	4950		
NEW GW/ GY 1210BS - HULR - □□□□ A	15	6	12.5	2.5×1	5100	10500	600,1200	80
NEW GW/ GY 1510DS - HU*R - □□□□ A		10		12.5	2.5×1	5100		
NEW GY 1510ES - HU*R - □□□□ A	20	16	12.7	1.5×2	9250	21000	600,1200,2000	110
NEW GW/ GY 1516BS - HULR - □□□□ A		20	12.5		4300	10200		
NEW GW/ GY 1520BS - HU*R - □□□□ A	25	5	17.5	2.5×1	5800	13300	1000,2000,2500	150
NEW GW/ GY 2005DS - HU*R - □□□□ A		10	16.3		6200	14700		
NEW GW/ GY 2010DS - HU*R - □□□□ A	32	20	17.5	2.5×2	10600	22700	600,1200,2000	80
NEW GW/ GY 2020DS - HU*R - □□□□ A		25	17.5		6200	14700		
NEW GY 2020ES - HU*R - □□□□ A	25	5	21.8	2.5×1	11250	29400	1000,2000,2500	110
NEW GW/ GY 2505DS - HU*R - □□□□ A		10	20.3		11900	37300		
NEW GW/ GY 2505ES - HU*R - □□□□ A	36	10	20.3	2.5×2	21600	74600	1000,2000,2500	150
NEW GW/ GY 2510ES - HU*R - □□□□ A		25	21.5		27500	76300		
NEW GW/ GY 2525DS - HU*R - □□□□ A	40	10	21.5	2.5×1	9300	22700	1000,2000,2500	110
NEW GY 2525ES - HU*R - □□□□ A		25	21.5		16880	45400		
NEW GY 2806ES - HUBR - □□□□ A	28	6	25.6	2.5×2	12100	42300	1000,2000,3000	150
NEW GY 3210ES - HUBR - □□□□ A		10	27.2		2.5×1	32800		
NEW GY 3232BS - HUBR - □□□□ A	32	32	27.8	1.5×2	14600	38900	1000,2000,3000	200
NEW GY 3610ES - HUBR - □□□□ A		10	31.1		2.5×2	35100		
NEW GY 3620ES - HUBR - □□□□ A	40	20	35.1	2.5×2	35100	98200	2000,3000,4000	200
NEW GY 4010ES - HUBR - □□□□ A		10	35.1		37100	105600		
NEW GY 4020ES - HUBR - □□□□ A	40	20	35.1	1.5×2	37100	105600	2000,3000,4000	200
NEW GY 4040BS - HUBR - □□□□ A		40	35.1		23900	66900		

Model No. □□□□: Overall length Wiper material N: No wiper L: Lip seal B: Brush S: LUBSEAL *: Please select L or S when your order.

(Unit:mm)

E NUT

Model No.	Shaft dia. d	Lead	Root dia. d1	Circuits & Turns	Basic Dynamic Load Rating (N) C	Basic Static Load Rating (N) C0	Shaft Dimensions	
							Overall Length Lt	L2
GW/ GY 1632QS - HEZR - □□□□ A	16	32	13.5	0.67×3	4200	7700	600,1200	60
GW/ GY 2040QS - HEZR - □□□□ A	20	40	17.5		4700	10300	600,1200,2000	80

Model No. □□□□: Overall length Wiper material Z: Lip of end cap serves as a wiper.

(Unit:mm)

K NUT

Model No.	Shaft dia. d	Lead	Root dia. d1	Circuits & Turns	Basic Dynamic Load Rating (N) C	Basic Static Load Rating (N) C0	Shaft Dimensions	
							Overall Length Lt	L2
GW/ GY 1505DS - NKLR - □□□□ A	15	5	12.5	2.5×1	5100	10500	600,1200	60
GW/ GY 1510DS - NKLR - □□□□ A		10			5100	10500		
GW/ GY 2005DS - NKLR - □□□□ A	20	5	17.5	2.5×1	6200	14700	600,1200,2000	80
GW/ GY 2010DS - NKLR - □□□□ A		10	16.3		10600	22700		
GW/ GY 2505DS - NKLR - □□□□ A	25	5	21.8	2.5×2	6600	18700	1000,2000,2500	110
GW/ GY 2510ES - NKLR - □□□□ A		10	20.3		27500	76300		
GW/ GY 3210ES - NKBR - □□□□ A	32	10	27.2	32800	86700	1000,2000,3000	150	

Model No. □□□□: Overall length Wiper material L: Lip seal B: Brush